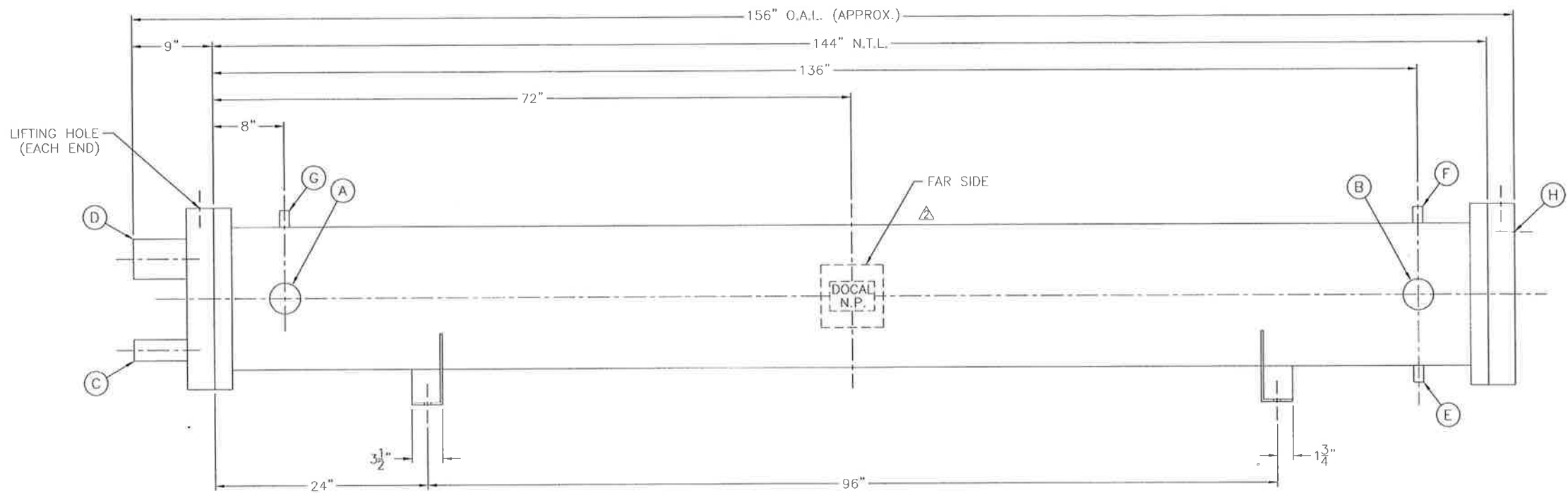
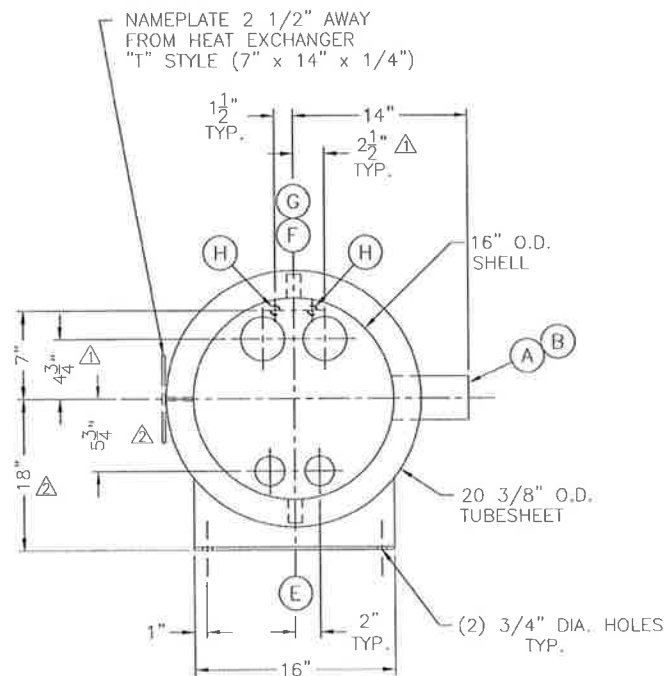


REQUIREMENTS	MATERIAL OF CONSTRUCTION
1) TUBE-TUBESHEET JOINT: GROOVE/EXPAND/SEAL WELD 2) FINISH : ONE (1) COAT OF BCS-121 3) INSULATION: BY OWNER 4) CHINA FITTINGS AND FLANGES SHALL NOT BE USED 5) NITROGEN CHARGE OF 5 PSIG BEFORE SHIPMENT (BOTH SIDE) 6) BOLT TORQUING: 85 FT•LBS 7) TUBESHEET LAYOUT: DWG D-3140 REV.1	-SHELL: SA-53-B ERW -FLAT COVER: SA-516-70 -TUBESHEETS: SA-516-70 -TUBES: SA-214 (5/8" O.D. x 0.060" M/W) Δ -GASKETS: PTFE 1/16" THK. -ALL OTHERS PARTS: CARBON STEEL



DESIGN SPECIFICATIONS		
DESIGN AND CONSTRUCTION TO -THE STATE OF COLORADO (U.S.A.) REGULATIONS -2004 CODE A.S.M.E., SECT. VIII, DIV. 1 c/w "U" STAMP & NATIONAL BOARD		
	SHELL SIDE	TUBE SIDE
FLUID (NON LETHAL)	AMMONIA LIQUID	AMMONIA
DESIGN PRESSURE	300 PSIG	300 PSIG
DESIGN TEMPERATURE	-20/200 °F	-20/120 °F
CORROSION ALLOWANCE	0.0	0.0
C.R.N.	N/A	
SERIAL NUMBER	12979 @ 12981	
WEIGHT (EMPTY):	2758 (FULL): 3341 LBS	

* c/w SA-105 PLUG					
VESSEL CONNECTION					
MARK	SERVICE	DESCRIPTION	SCH.	RATING	QTY
A	AMMONIA LIQUID INLET	3" NOM. STUB	80-40	----	1 Δ
B	AMMONIA LIQUID OUTLET	3" NOM. STUB	80-40	----	1 Δ
C	AMMONIA INLET	2" NOM. STUB	80-40	----	2 Δ
D	AMMONIA OUTLET	3" NOM. STUB	80-40	----	2 ΔΔ
E	SERVICE DRAIN	3/4" FPT	----	3000#	1
F	VENT	3/4" FPT	----	3000#	1
G	RELIEF CONN.	3/4" FPT	----	3000#	1
H	RELIEF CONN.	1/2" NPT (*)	----	TAP	2

2	CLIENT MODIFICATIONS	NOV. 15/05	Key
1	AMMONIA OUTLET SIZE & LOCATION	AUG. 24/05	PAM
No.	DESCRIPTION	DATE	BY

DOCAL
 3535, Pittfield Blvd
 Saint-Laurent (Quebec)
 H4S 1H3

16" NOM. R-717 D.X. ECONOMIZER
 MODEL: DLBEM-16-144 QTY: 3

FOR: FES SYSTEMS INC. P.O.:

PROJECT: SHELL

EQUIP. NUMBER: E-5801-27
 E-5802-27
 E-5803-27

DS. BY: PAM CHK'D BY: [Signature] APPR. BY: [Signature]

DATE: AUG. 12/05 SCALE: NONE DR. No: B-4889-B