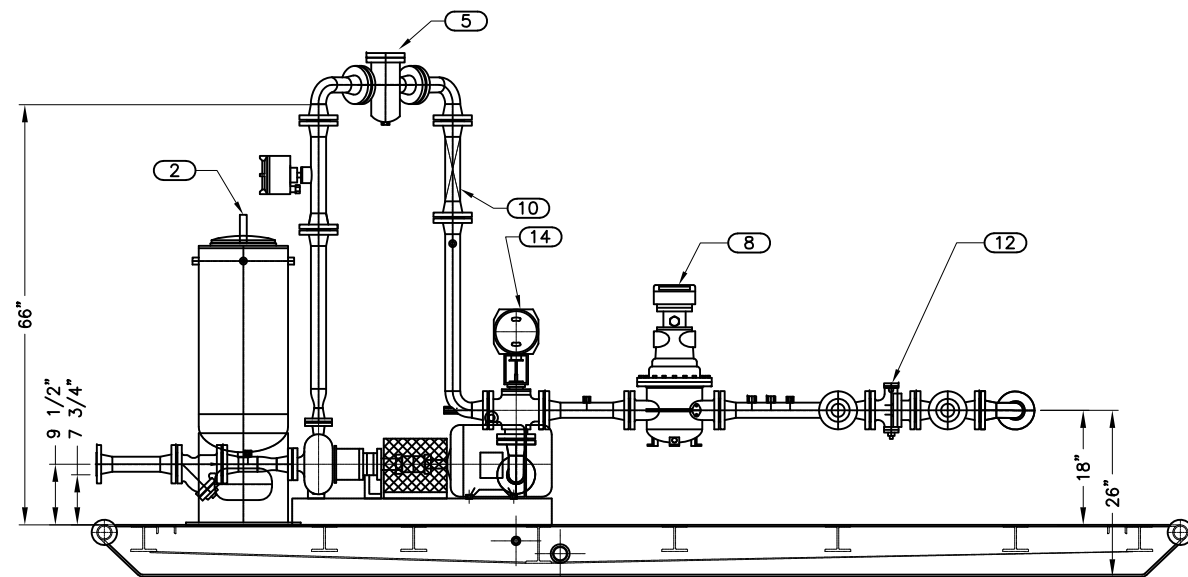
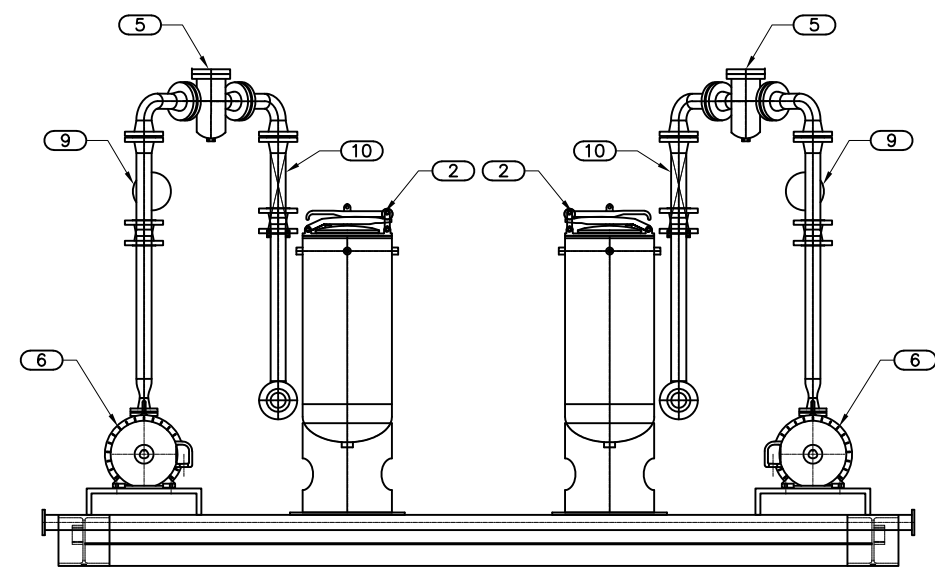


PLAN VIEW



ELEVATION

MAJOR EQUIPMENT LISTING				WEIGHT EACH	TOTAL WEIGHT
ITEM	QTY.	DESCRIPTION			
1	1	STRUCTURAL SKID ASSY	3307.00lb	3307 lb	
2	2	SAMPLE RECEIVER 15 GAL (SAMPLE POT) ASSY	201.00lb	402 lb	
3	2	SAMPLE CIRCULATION PUMP & MOTOR ASSY	*80.00lb	160 lb	
4	2	PROVER BOX ASSY (NOT SHOWN)	*100.00lb	200 lb	
5	2	LACT STRAINER UMC 2"x6"-150# FLANGED	*85.00	170 lb	
6	2	LACT PUMP 1 1/2"x1" FLANGED	*460.00lb	920 lb	
7	2	AIR ELIMINATOR ASSY	2.00lb	4 lb	
8	2	METER FMC/SMITH C2-S3 2"-150#, W/RT. ANGLE DRIVE & COUNTER w/PULSER	130.00lb	260 lb	
9	2	PROBE BS&W 2"-150# FLANGED	*20.00lb	40 lb	
10	2	STATIC MIXER UMC 2"-150# TWO ELEMENT W/ FLOW STRAIGHTENING VANE	*16.00lb	32 lb	
11	4	VALVE BP 2" 150# FLANGED	*40.00lb	160 lb	
12	2	VALVE 2" DB&B 150# FLANGED	*47.50lb	96 lb	
13	4	VALVE BALL 2" 150# FLANGED	*47.50lb	192 lb	
14	2	VALVE DIVERT 2" 3-WAY 150# FLANGED W/ACTUATOR	*70.00lb	140 lb	
15	2	VALVE CHECK 2" 150# FLANGED	*35.00lb	70 lb	
16	2	STRAINER Y 2" 150# FLANGED	*30.00lb	60 lb	
17	2	PROCESS PIPE ASSY 3" 150# FLANGED	*358.00lb	716 lb	
18	2	STRAINER/AIR ELIMINATOR PROCESS PIPE ASSY (NOT SHOWN)	*20.00lb	40 lb	
18	1	FIBERGLASS BUILDING (NOT SHOWN)	*2500.00lb	2500 lb	
TOTAL ESTIMATED WEIGHT					9469 lb



SECTION B-B

NO.	GENERAL NOTES	REFERENCE NUMBER	REFERENCE DRAWING	REV.	DATE	REVISION	DRAWN	CHK'D	APPR.
1.	ALL DIMENSIONS IN INCHES			A					
2.	MATERIAL = ?			B					
3.	GENERAL TOLERANCES = ±			C					
4.				D					
5.				E					
6.				F					
7.				G					

UMC
Energy Solutions
since 1966

3421 N. SYLVANIA AVE.
FORT WORTH, TX 76111
(817) 744-8242
FAX (817) 744-8243
www.-----com

CLIENT:	RESOURCES	TITLE:	2" - 150# ANSI LACT UNIT GENERAL ASSEMBLY
SCALE: N.T.S.	DRAWN: DDF	SHEET	UMC-50195-GA
CHECKED: -	DATE: 7/24/13		