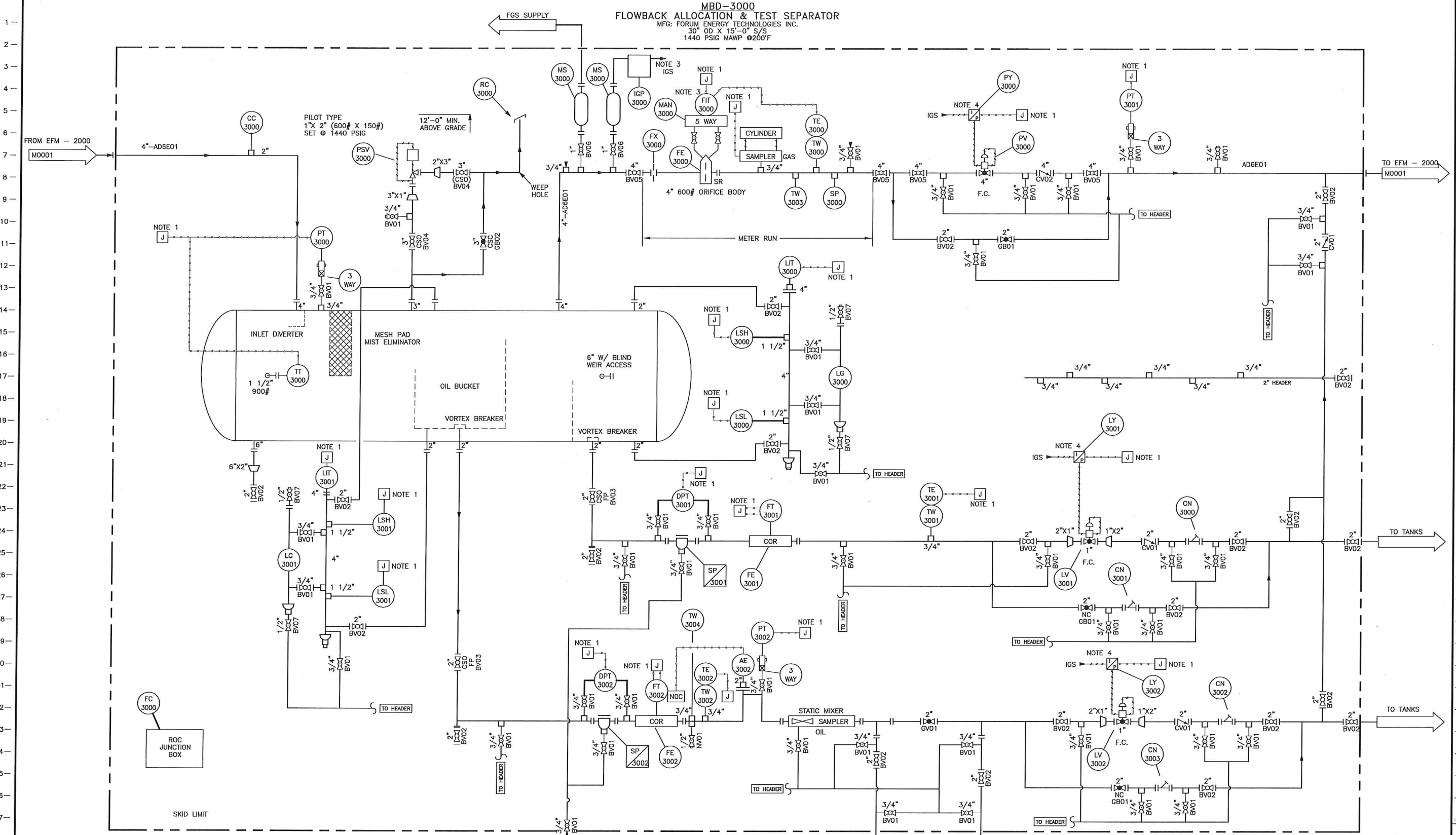


**MBD-3000**  
**FLOWBACK ALLOCATION & TEST SEPARATOR**  
 MFG: FORUM ENERGY TECHNOLOGIES INC.  
 30" OD X 15'-0" S/S  
 1440 PSIG MAWP @200°F



- NOTE:**
- 1) ALL ALARMS AND TRANSMITTERS ARE TO BE WIRED TO ON SKID JUNCTION BOX/ROC
  - 2) ORIFICE BODY ROTATED SO THAT PRESSURE PORTS ARE ON TOP. MAN-3000 MOUNTED DIRECTLY TO ORIFICE BODY AND FIT-3000 MOUNTED TO MAN-3000
  - 3) CONNECT ALL PNEUMATIC CONTROLS TO IGP-3000 WITH 3/8" S.S. TUBING.
  - 4) MOUNT PY-3000, LY-3001, LY-3002 AT JUNCTION BOX.

PROPRIETARY AND CONFIDENTIAL  
 THIS DRAWING IS THE PROPERTY OF  
 FORUM ENERGY TECHNOLOGIES  
 3329 N. I-35 FARMVILLE, TEXAS 76240, AS  
 SUCH IS NOT TO BE REPRODUCED UNDER  
 ANY CIRCUMSTANCES FOR REPAIR OR  
 FABRICATION PURPOSES WITHOUT THEIR  
 WRITTEN CONSENT.  
 Copyright © 1998 FORUM ENERGY TECHNOLOGIES, INC.

**TITLE:**  
 P&ID - FLOWBACK ALLOCATION & TEST SEPARATOR  
 30" OD X 15'-0" 1440 DP ASME CODE

DRAWN BY: S. NEARHOOF 1/27/01	CHECKED BY:	CUSTOMER:	SHEET:	D
JOB NO.:	DWG. NO.:	REV:	0	
	TTG-140003			