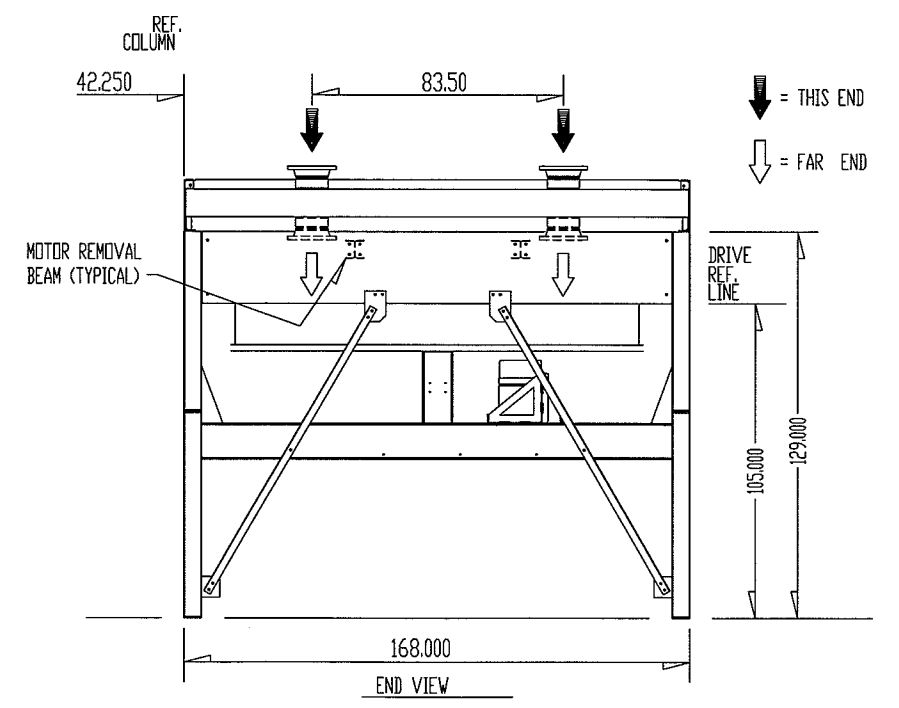
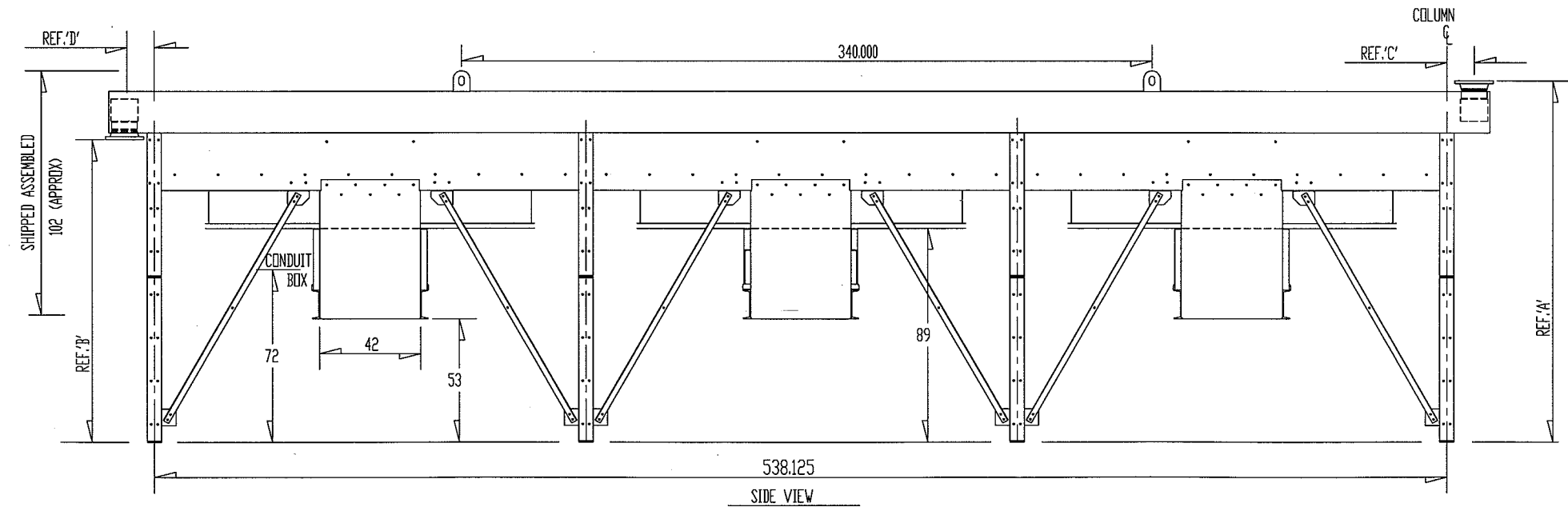
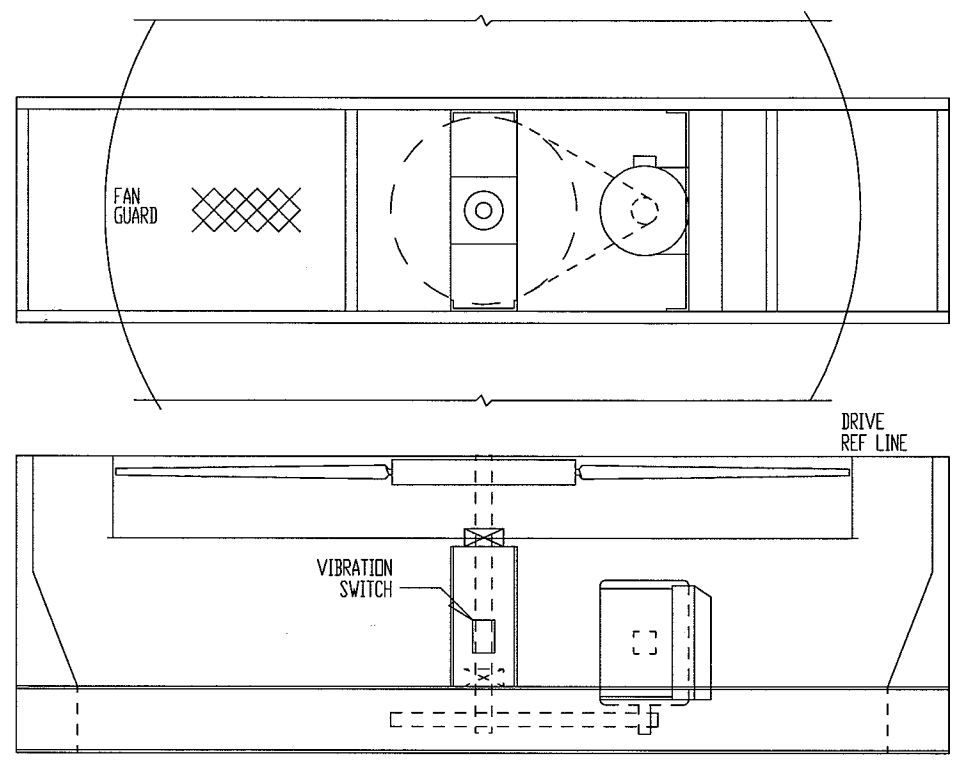
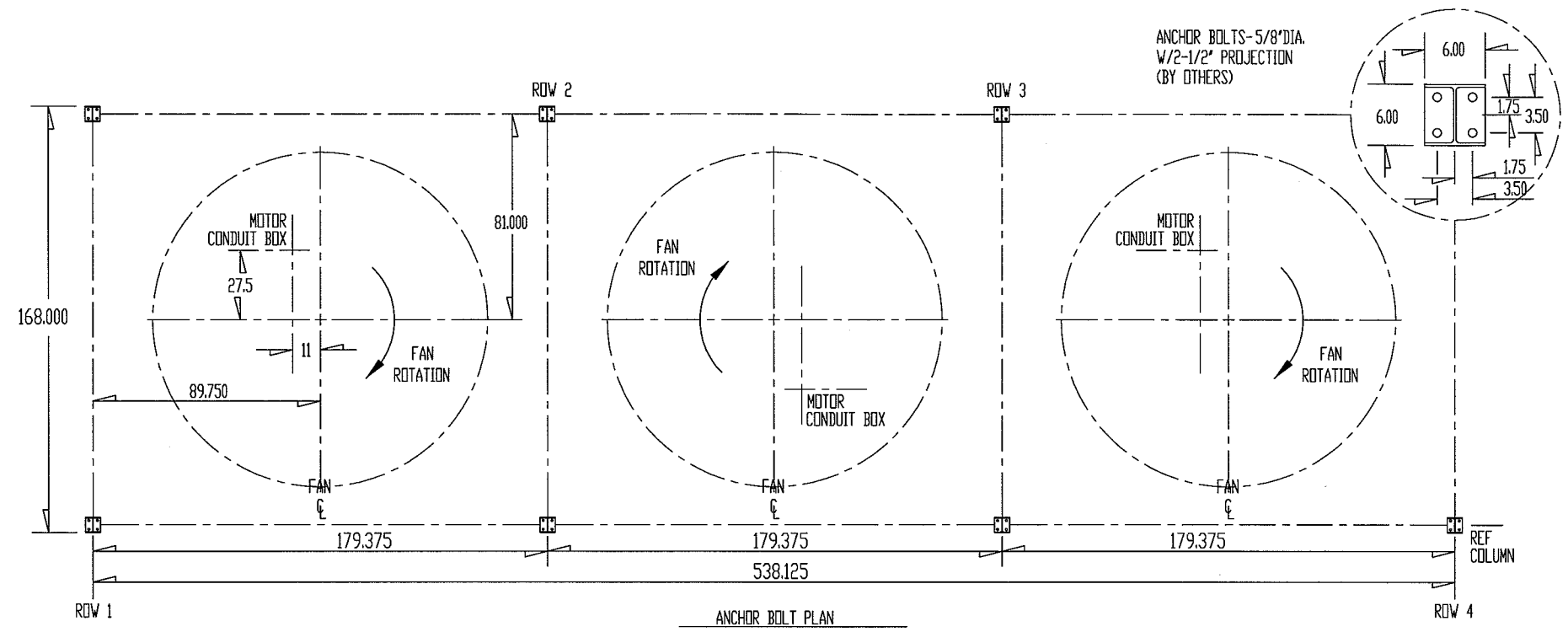


DRY WGT	168500	WIND	26.4	PSF	/90	MPH	SEISMIC	4	PLATFORM	0	LBS/SQ-FT LIVE
COLUMN LOAD (KIPS)	DRY DEAD	WET DEAD	WIND VERT	WIND HORIZ	SEIS VERT	SEIS HORIZ	SNOW	PLAT	NOZZ VERT	NOZZ HORIZ	TOTAL
ROW 1 /COLUMN	4.68	5.04	1.21	1.53	0.47	0.97	1.84	0.0	4.50	3.75	12.59
ROW 2 /COLUMN	9.36	10.08	2.42	3.06	0.94	1.95	3.68	0.0	0.0	0.0	16.18
ROW 3 /COLUMN	9.36	10.08	2.42	3.06	0.94	1.95	3.68	0.0	0.0	0.0	16.18
ROW 4 /COLUMN	4.68	5.04	1.21	1.53	0.47	0.97	1.84	0.0	4.50	3.75	12.59

FAN COFIMCO 3353-6-24L/B3T
 132 IN. DIAMETER 6 BLADE
 153000 ACFM 13.5 DEG.
 DRIVE REDUCER
 BELTS (4) 5VX-1320
 SHEAVES FAN 37.5 MOTOR 5.5
 BEARINGS 2.9375 IN.
 SHAFT 2.9375 IN. X 50.0 IN. LG.

MOTOR HP 30.0 RPM 1800 /0.
 286T TEFC
 INSULATION CLASS F /B TEMP RISE
 460 /3/60 SINGLE WINDING VARIABLE TORQUE
 AMPS(±10%)FLA 36 LRA 218.
 VIBRATION SWITCH MURPHY VS-2EX
 VOLTS 480. AMPS 5.0 CONTACTS (2) SPDT

SHOP RUN IN TEST



ITEM	SERVICE	NOZZLES INLET	OUTLET	REFERENCE DIMENSIONS				BUNDLE WEIGHT	COUPLINGS			SHUTTER-OPERATOR	HAIL SCR. CODE	DESIGN PRESS.	
				A	B	C	D		V&D	TEMP	PRESS				
1	21PRO-E-2105	HT WATER AIR COOLER	(2) 10 -150 # RF SCH 100	(2) 10 -150 # RF SCH 100	150.750	126.125	11.375	11.375	24900	(2)	1-6000		NO	NATL	185

TOLERANCES: (ALL DIMENSIONS IN INCHES)
 MECHANICAL EQUIPMENT ±1/8" PER 10' -0"
 NOZZLE ±1/8"
 STRUCTURAL- HAND TOOL CLEAN WITH 1 COAT GALVANIZE
 FRAME- HAND TOOL CLEAN WITH 1 COAT GALVANIZE
 HEADER- WHITE METAL BLAST CLEAN WITH 1 COAT METALIZE

CUSTOMER STONE & WEBSTER, INC.
 LOCATION POCATELLO, IDAHO
 REFERENCE 128400-T715-07

SMITHCO
 AIR COOLED DIVISION
 TULSA, OKLAHOMA

PIPING, EQUIPMENT OUTLINE & ANCHOR BOLT PLAN
 MODEL 3 F 46-140-3 QUANTITY 1
 ITEM NO. 21PRO-E-2105

DWN HP CKD DATE 12-18-2008
 REV 1 JOB 2008B 701 -A

CERTIFIED BY: P. Rogers DATE: 2/4/09

REV 1: ADDED ITEM NO., CERTIFIED FINAL PR 2/4/09
 REV 0: SUBMITTED FOR APPROVAL PR 12/19/08

FT& MB