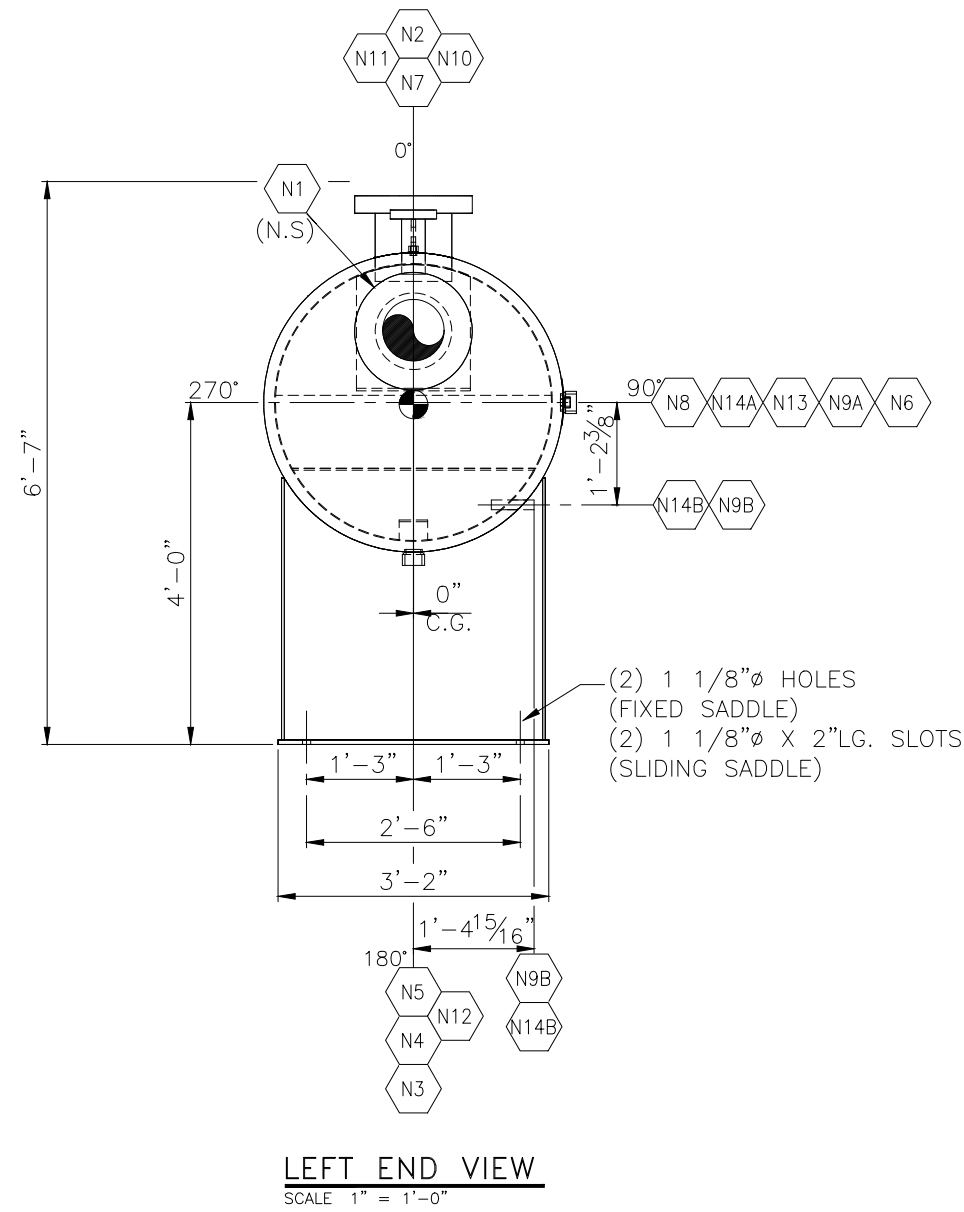
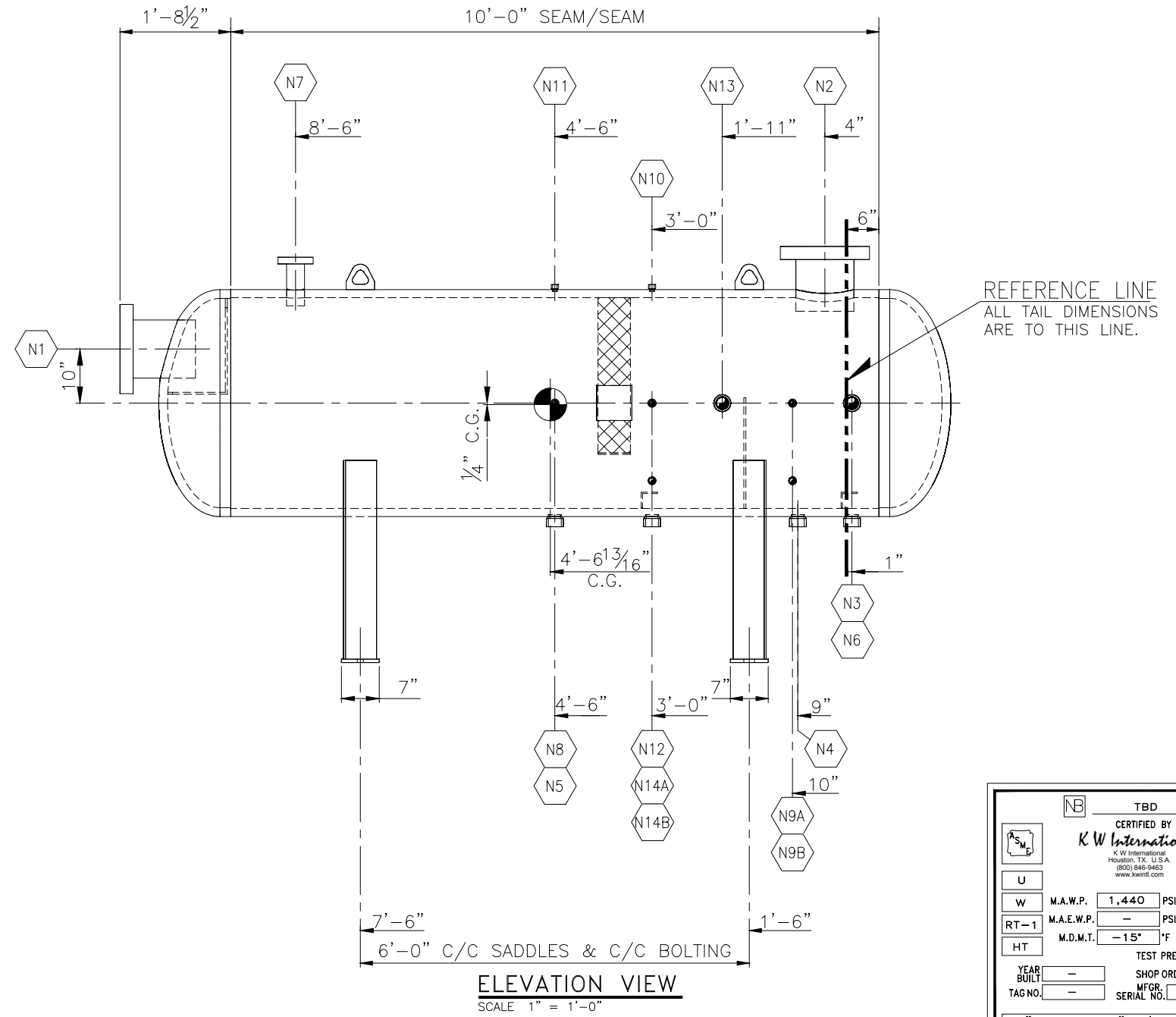


FOR REFERENCE ONLY, SUBJECT TO CHANGE WITHOUT NOTICE



LEFT END VIEW  
SCALE 1" = 1'-0"



ELEVATION VIEW  
SCALE 1" = 1'-0"

REFERENCE LINE  
ALL TAIL DIMENSIONS  
ARE TO THIS LINE.

**CERTIFIED BY**  
K W International  
K W International  
Houston, TX, U.S.A.  
(800) 948-9463  
www.kwintl.com

**U**

**W** M.A.W.P. 1,440 PSI AT 130° 'F  
**RT-1** M.A.E.W.P. - - - PSI AT - - - 'F  
**HT** M.D.M.T. -15° 'F AT 1,440 PSI

TEST PRESSURE 1,872 PSI

YEAR BUILT - - - SHOP ORDER NO. - - -  
TAG NO. - - - MFG. SERIAL NO. - - -

42" O.D. X 120" S/S @ 1,440 MAWP  
HZ 3-PH SEPARATOR, SEPHZ0033

TOTAL WEIGHT = 9,300 LBS.

**MINIMUM TOLERANCES:**

CUTS	±1/8"
ANGLES	±1/2"
WELD ASSEMBLIES	±1/8"
DECIMAL DIMN.	±.005
BEND DIMN.	±1/8"
LINEAR DIMN.	±1/4"

1225 Britton Road Houston, TX, 77043  
Office 713-468-9581 800-948-Wind (9463)  
Fax: 713-468-2770

MARK	NO. REQ'D	SIZE	RATING	TYPE	SERVICE	INSIDE PROJ.	OUTSIDE PROJ.	WELD FIGURE NUMBER	OUTSIDE FILLET (A)	INSIDE FILLET (B)	PAD FILLET (C)
N8	1	3/4"	3000#	C.O.L.	TEMPERATURE INDICATOR	-	-	W7	1/4"	-	-
N7	1	2"	600#	RFLWN	RELIEF	N/R	6"	W2	3/8"	-	-
N6	1	2"	3000#	C.O.L.	OIL LEVEL CONTROL	-	-	W7	3/8"	-	-
N5	1	2"	3000#	C.O.L.	WATER DRAIN	-	-	W7	3/8"	-	-
N4	1	2"	3000#	C.O.L.	OIL DRAIN	-	-	W7	3/8"	-	-
N3	1	2"	3000#	C.O.L.	OIL OUTLET	-	-	W7	3/8"	-	-
N2	1	8"	600#	RFLWN	GAS OUTLET	1.5"	8"	W2	3/8"	-	-
N1	1	8"	600#	RFLWN	INLET	1.375"	ELEV	W2	3/8"	-	-

SCHEDULE OF OPENINGS

MARK	NO. REQ'D	SIZE	RATING	TYPE	SERVICE	INSIDE PROJ.	OUTSIDE PROJ.	WELD FIGURE NUMBER	OUTSIDE FILLET (A)	INSIDE FILLET (B)	PAD FILLET (C)
N14B	1	3/4"	3000#	LG. CPLG	OIL LEVEL GAUGE	N/R	END	W9	1/4"	-	-
N14A	1	3/4"	3000#	C.O.L.	INTERFACE LEVEL GAUGE	-	-	W7	1/4"	-	-
N13	1	2"	3000#	C.O.L.	WATER LEVEL CONTROL	-	-	W7	3/8"	-	-
N12	1	2"	3000#	C.O.L.	WATER OUTLET	-	-	W7	3/8"	-	-
N11	1	1/2"	3000#	C.O.L.	PRESSURE INDICATOR	-	-	W7	1/4"	-	-
N10	1	1/2"	3000#	C.O.L.	SUPPLY GAS	-	-	W7	1/4"	-	-
N9B	1	3/4"	3000#	LG. CPLG	OIL LEVEL GAUGE	N/R	END	W9	1/4"	-	-
N9A	1	3/4"	3000#	C.O.L.	OIL LEVEL GAUGE	-	-	W7	1/4"	-	-

SCHEDULE OF OPENINGS

REV.	DESCRIPTION	DATE	BY	CHK
3	CHANGED PART # FOR 17 ON BOM	6/18/14	SM	JR
2	REVISED OUTSIDE PROJECTION ON ITEMS 3 AND 4	6/18/14	SM	JR
1	REVISED PART #	6/13/14	SM	JR
0	ISSUED FOR CONSTRUCTION	6/3/14	DBM	CAO

**DESIGN DATA**

CONSTRUCTION IN ACCORDANCE WITH 2013 EDITION OF THE A.S.M.E. CODE SECTION VIII, DIVISION 1

CODE STAMP IS REQ'D. NATIONAL BD. REG. IS REQ'D.

DESIGN PRESS. (INTERNAL) 1,440 P.S.I.G. @ 130° 'F  
DESIGN PRESS. (EXTERNAL) - - - P.S.I.G. @ - - - 'F

M.A.W.P. 1,440 P.S.I.G. @ 130° 'F LIMITED BY DESIGN  
M.A.P. - - - P.S.I.G. @ AMB. TEMP. LIMITED BY - - -

HYDROSTATIC TEST 1,872 P.S.I.G. (NEW) IN HORIZONTAL POSITION

CORROSION ALLOWANCE: SHELL 0.00" HEADS 0.00" NOZZLES 0.00"  
RADIOGRAPHY: SHELL(LONG SM) FULL PER UW-11(g) Type 1  
SHELL(GIRTH SM) FULL PER UW-11(g) Type 1

JOINT EFF.: HEADS 1.0 SHELL(LONG SM) 1.0 SHELL(GIRTH SM) 1.0  
ULTRASONIC EXAM. NONE

P.W.H.T. (STRESS RELIEVE) 98 MINUTES AT 1,100 'F CODE CYCLE

EST. WEIGHTS: EMPTY 9,300 LBS. FULL OF WATER 15,226 LBS.

DATE	DRAWN	CHECKED	APPROVED
11/25/13	DBM	CAO	CAO

CLIENT  
KW INTERNATIONAL

TITLE  
42" O.D. X 10'-0" S/S  
HORIZONTAL 3-PHASE SEPARATOR  
ELEVATION & END VIEW

SCALE: 1" = 1'-0" S.O.# - - -

DRAWING NUMBER	SHEETS	REV
SEPHZ0033	SHT# 1 OF 1	3



THIS DRAWING AND ITS CONTENTS ARE THE PROPERTY OF KW INTERNATIONAL AND SHALL NOT BE USED, REPRODUCED OR DISCLOSED EXCEPT IN ACCORDANCE WITH ITS WRITTEN PERMISSION.