

Internals Assembly & Layout

1st Stage Suction Scrubber

TAG: VS-Z6001

Customer: WP / BPXA

Project: BPXA WRDx GPP

WP Job No.: 10741230-0019


WP Vendor Data Item No.: A01 & A05

VDC No. 6

<input type="checkbox"/>	VC RELEASED FOR FABRICATION - CORRECT AND RESUBMIT
<input checked="" type="checkbox"/>	VF FINAL - DO NOT RESUBMIT
<input type="checkbox"/>	VI FINAL - INFORMATION ONLY
<input type="checkbox"/>	VN NOT RELEASED FOR FABRICATION - CORRECT AND RESUBMIT
<input type="checkbox"/>	VM FINAL, MANUAL(S) - NOT RETURNED TO VENDOR
<input type="checkbox"/>	VEF FINAL - ELECTRONIC FILES
<input type="checkbox"/>	VV VOID - SEE COMMENTS ON DOCUMENTS
<input type="checkbox"/>	EO DO NOT ISSUE THIS REVISION SUPERCEDED BY ANOTHER REVISION

Purchaser's review and/or release for fabrication shall not be construed as relieving seller of any obligation or responsibilities with respect to these documents of the items to be furnished by seller pursuant thereto.

WorkleyParsons
 resources & energy
 REVIEWED BY *Kevin Thunberg*
 DATE *07/21/09*



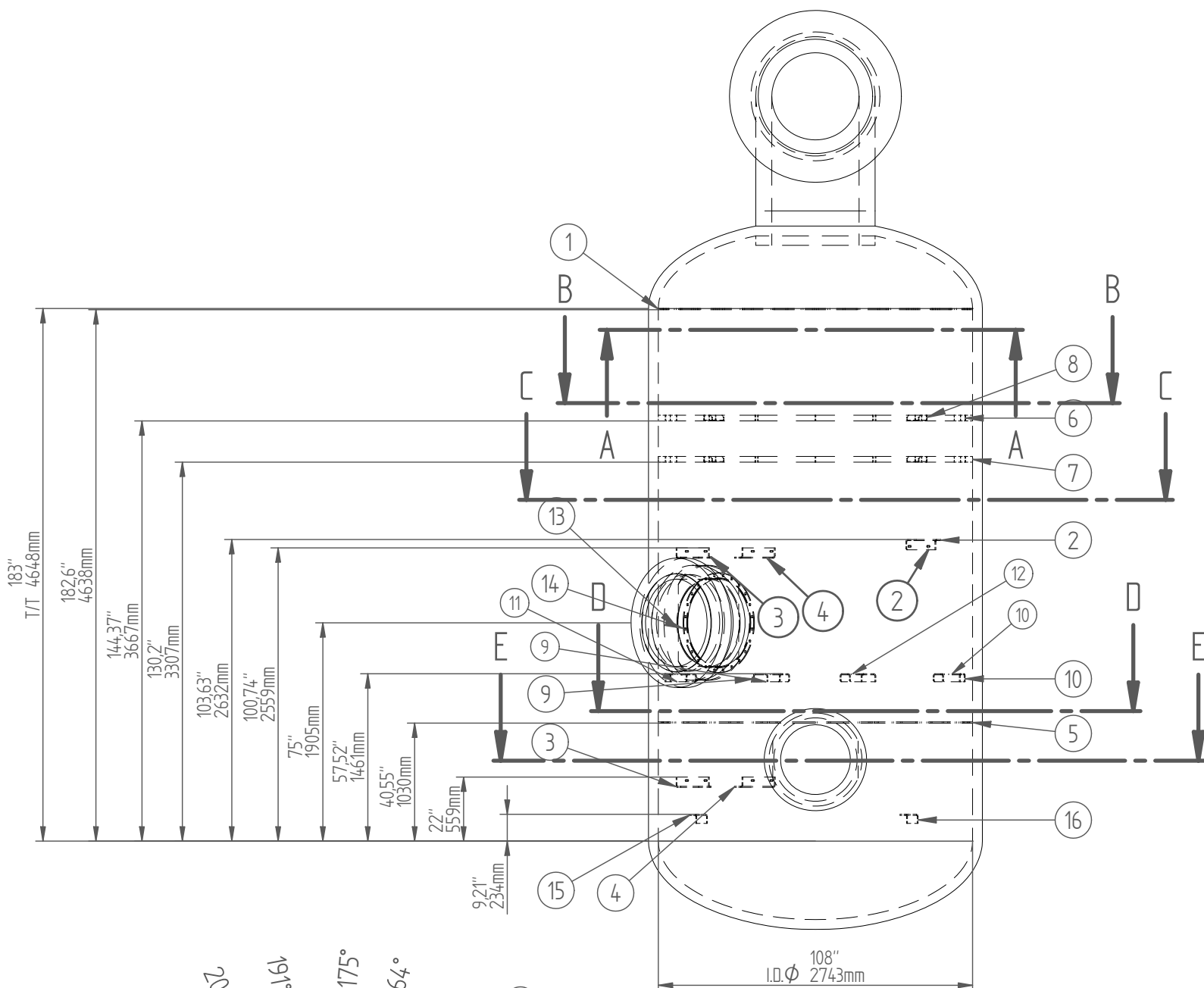
Rev. No.	Date	Prepared By	Checked By	Approved By	Description
1	20 FEB 08	TJ	RR	DTK	Issued for Approval
2	20 MAR 08	TJ	RR	DTK	Issued for Approval
3	24 APR 08	TJ	RR	DTK	Issued for Approval
4	17 JUL 08	TJ	RR	DTK	Revised per Customer Comment
5	08 APR 09	TJ	RR	BN	Minor Modifications to Supports & Clips and to Splash Plate, Issued for Construction
6	2 JUL 09	TJ	RR	BN	Revised per Customer Comments

A04

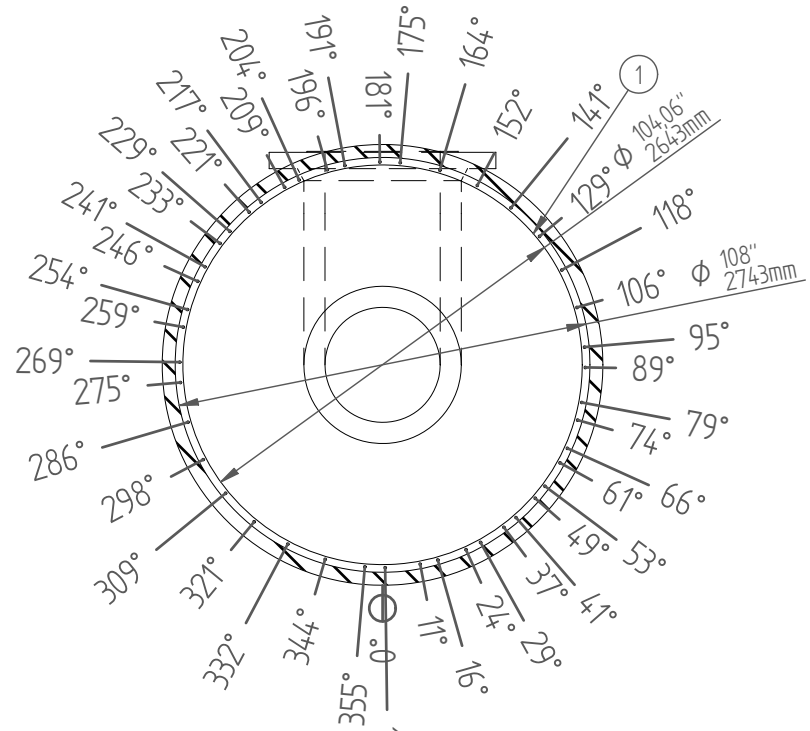
VND	DISC	PROJ #	P.O.	SEQ	SHT	REV	TAG
	<i>VS</i>	<i>36324244-02</i>	<i>0019</i>	<i>00004</i>	<i>001</i>	<i>005</i>	<i>VS-Z6001</i>

1.0 4.1

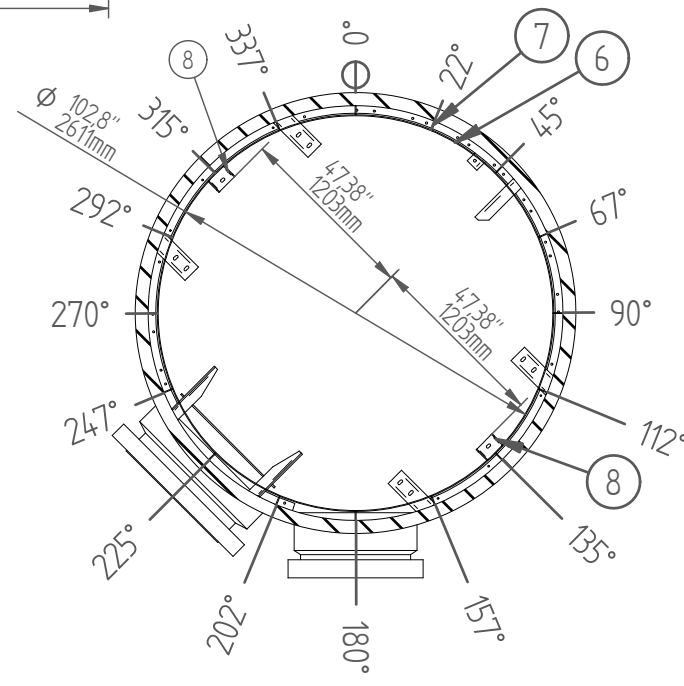




Item	Title	Material	Quantity	Mass
1	DC RING - PL.10mm	AISI 316L	1	72.6 lbm
2	8 INCH PIPE LUG 1- PL.10mm	AISI 316L	1	9.3 lbm
3	8 INCH PIPE LUG - PL.10mm	AISI 316L	2	19.8 lbm
4	8 INCH PIPE LUG_mir - PL.10mm	AISI 316L	2	19.8 lbm
5	SP RING - PL.10mm	AISI 316L	1	65.4 lbm
6	mesh pad ring 1- PL.6mm	AISI 316L	2	86.8 lbm
7	Mesh pad ring 2- PL.6mm	AISI 316L	32	10.1 lbm
8	mesh pad ring 3- PL.6mm	AISI 316L	4	9.4 lbm
9	IVD SUPPORTING LUG 2_MIR - PL.10mm	AISI 316L	1	11.9 lbm
10	IVD SUPPORTING LUG 2- PL.10mm	AISI 316L	1	11.9 lbm
11	IVD SUPPORTING LUG 1_MIR - PL.10mm	AISI 316L	1	11.6 lbm
12	IVD SUPPORTING LUG 1 - PL.10mm	AISI 316L	1	11.6 lbm
13	IVD inlet lug	AISI 316L	1	52.9 lbm
14	IVD INLET FLANGE LUG-PL.10mm	AISI 316L	1	19.5 lbm
15	8 INCH PIPE SUPPORT LUG_MIR-PL.10mm	AISI 316L	1	3.5 lbm
16	8 INCH PIPE SUPPORT LUG - PL.10mm	AISI 316L	1	3.5 lbm



Item 1 Arrangement SECTION A-A

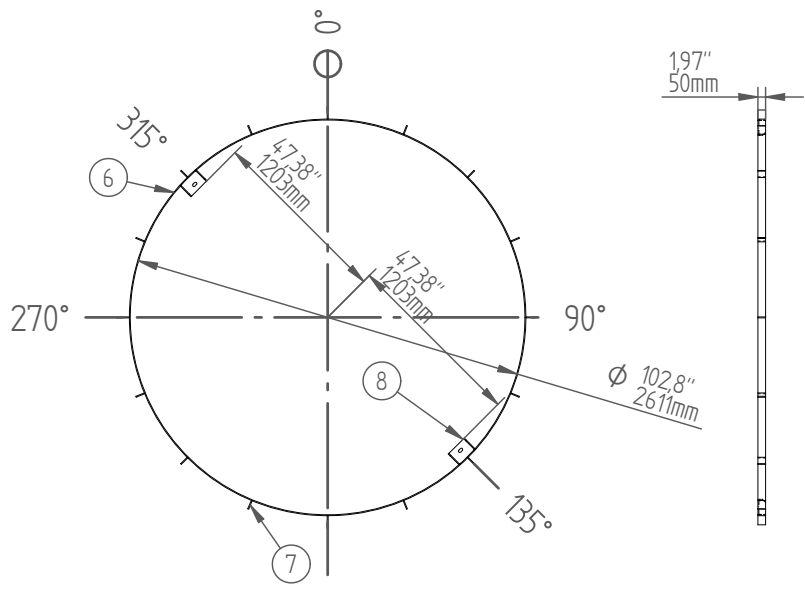


SECTION B-B

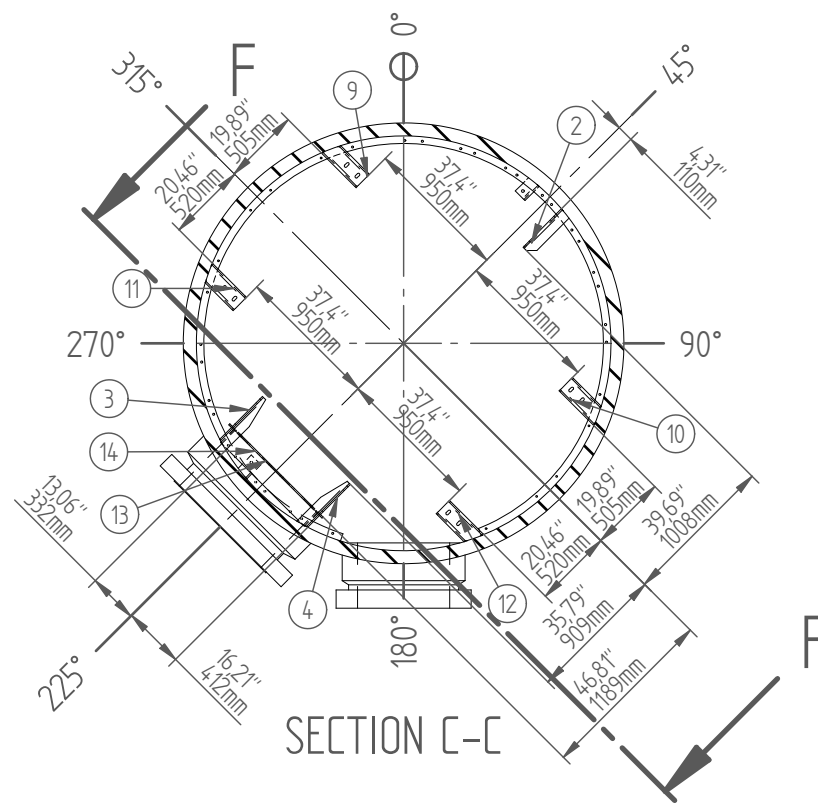
GENERAL NOTES:
 1. ALL PARTS ARE VESSEL FABRICATOR'S SCOPE.
 2. MATERIAL OF THE CLOSEST AVAILABLE US CUSTOMARY SYSTEM UNITS MAY BE SUBSTITUTED.

REV.	DATE	REASON FOR ISSUE	Drawn	Checked	Approved
06	25.05.2009	ISSUED FOR ACCEPTANCE	TJ	RR	DTK
05	03.03.2009	ISSUED FOR ACCEPTANCE	TJ	RR	DTK
04	10.06.2008	ISSUED FOR ACCEPTANCE	TJ	RR	DTK
03	07.04.2008	ISSUED FOR ACCEPTANCE	TJ	RR	DTK
02	20.02.2008	ISSUED FOR ACCEPTANCE	TJ	RR	DTK
01	20.02.2008	ISSUED FOR ACCEPTANCE	TJ	RR	DTK

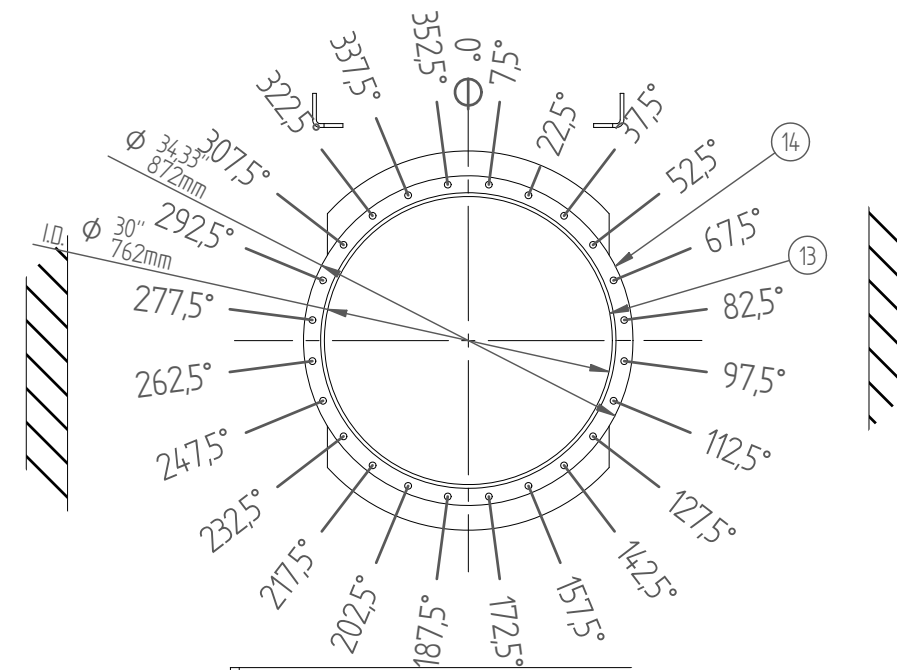
TAG.No(S) VS-Z6001		SIZE A3	SUPPLIERS DOC. NO. 108204-4102	REV 06
		SCALE -		
		TITLE WP BP ALASKA SUPPORT LUGS DRAWING		
		CLIENT PROJECT REF. 1ST STAGE SUCTION SCRUBBER		



ASSEMBLY OF ITEM 6,7&8

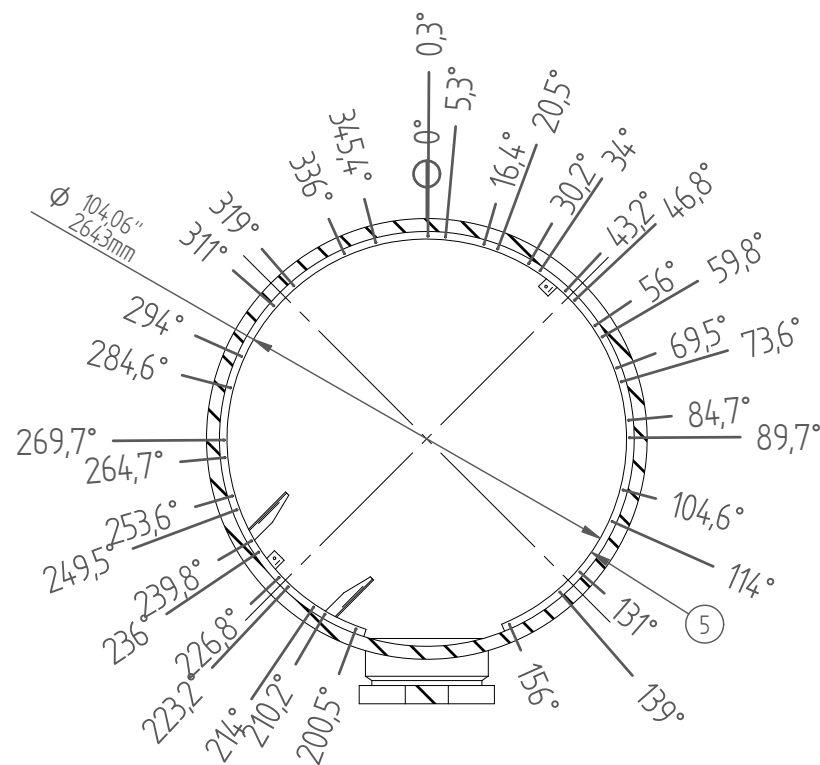


SECTION C-C

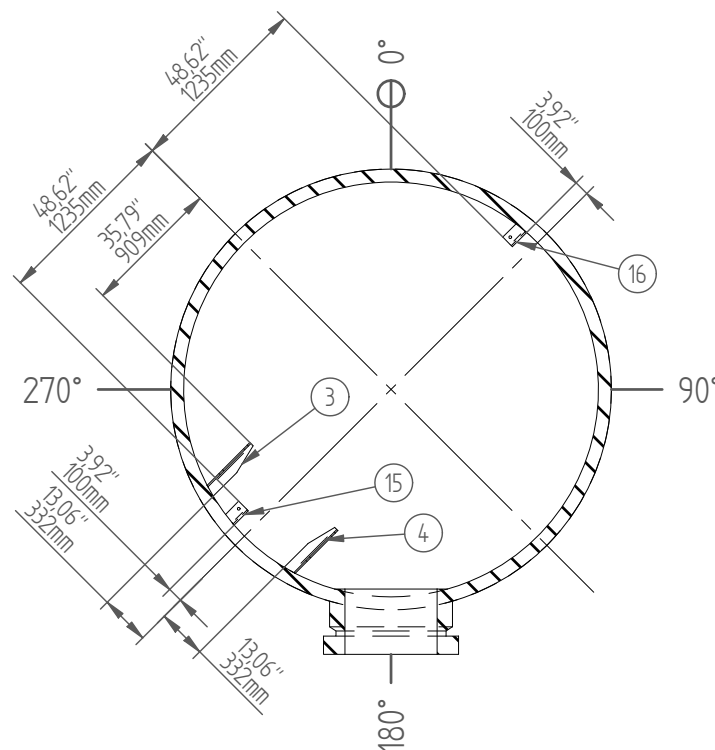


Pay attention to the direction

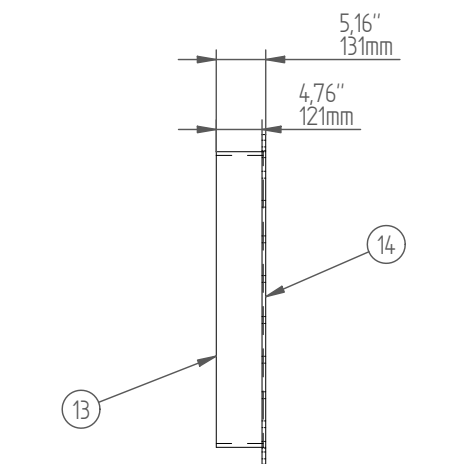
SECTION F-F



SECTION D-D



SECTION E-E



Assembly of Item 13&14

REV.	DATE	REASON FOR ISSUE	Drawn	Checked	Approved
06	25.05.2009	ISSUED FOR ACCEPTANCE	TJ	RR	DTK
05	03.03.2009	ISSUED FOR ACCEPTANCE	TJ	RR	DTK
04	10.06.2008	ISSUED FOR ACCEPTANCE	TJ	RR	DTK
03	07.04.2008	ISSUED FOR ACCEPTANCE	TJ	RR	DTK
02	20.02.2008	ISSUED FOR ACCEPTANCE	TJ	RR	DTK
01	20.02.2008	ISSUED FOR ACCEPTANCE	TJ	RR	DTK

		ConSept	
		TITLE WP BP ALASKA SUPPORT LUGS DRAWING	
TAG.No(S) VS-Z6001	SIZE A3	SUPPLIERS DOC. NO. 108204-4102	REV 06
	SCALE -	CLIENT PROJECT REF. 1ST STAGE SUCTION SCRUBBER	

1 2 3 4 5 6 7 8 9 10 11 12

A

B

C

D

E

F

G

H

A

B

C

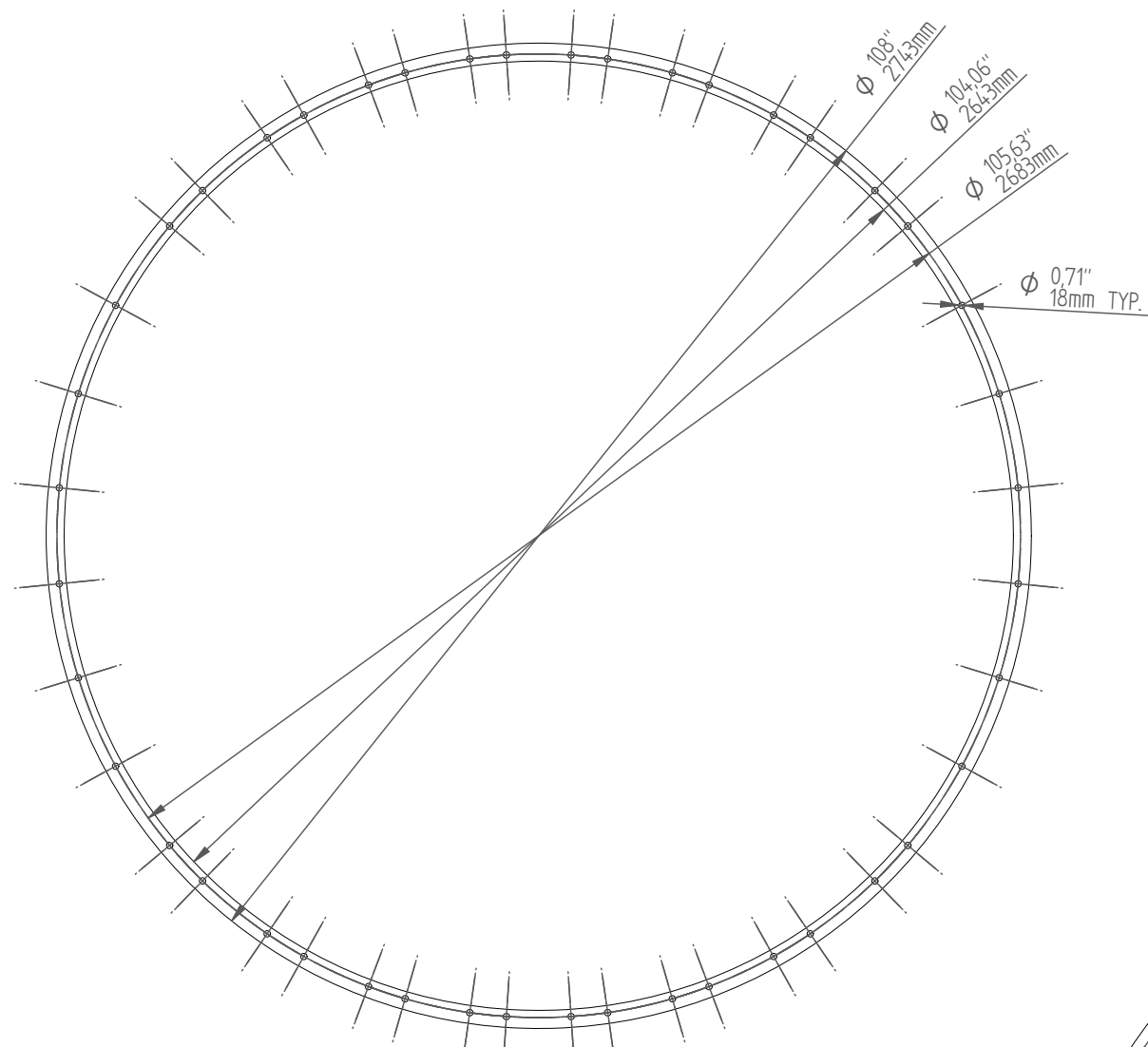
D

E

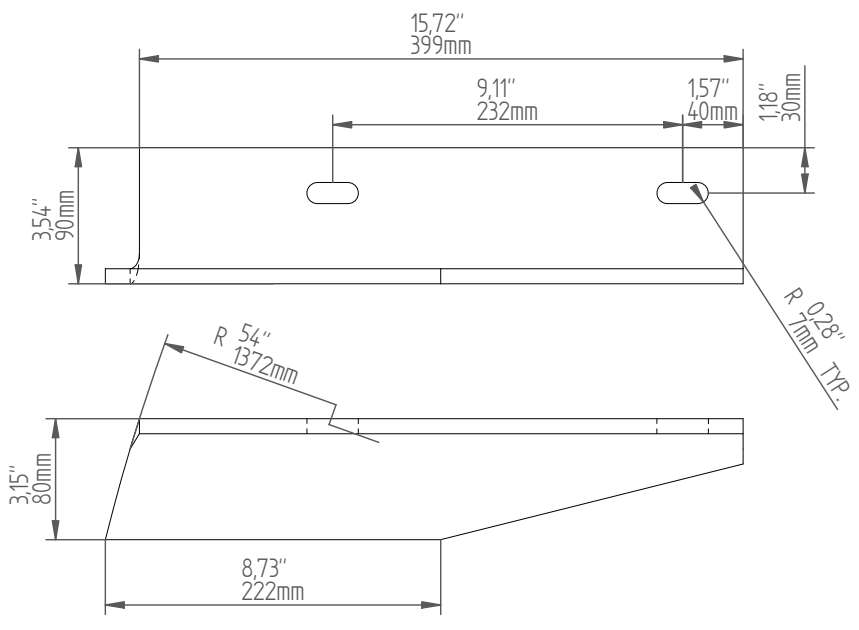
F

G

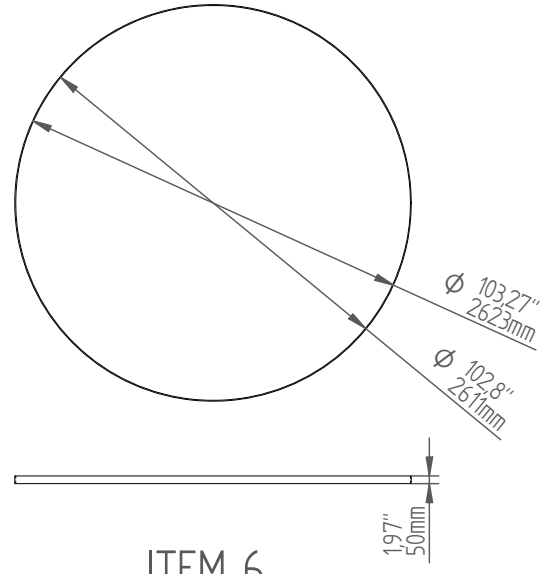
H



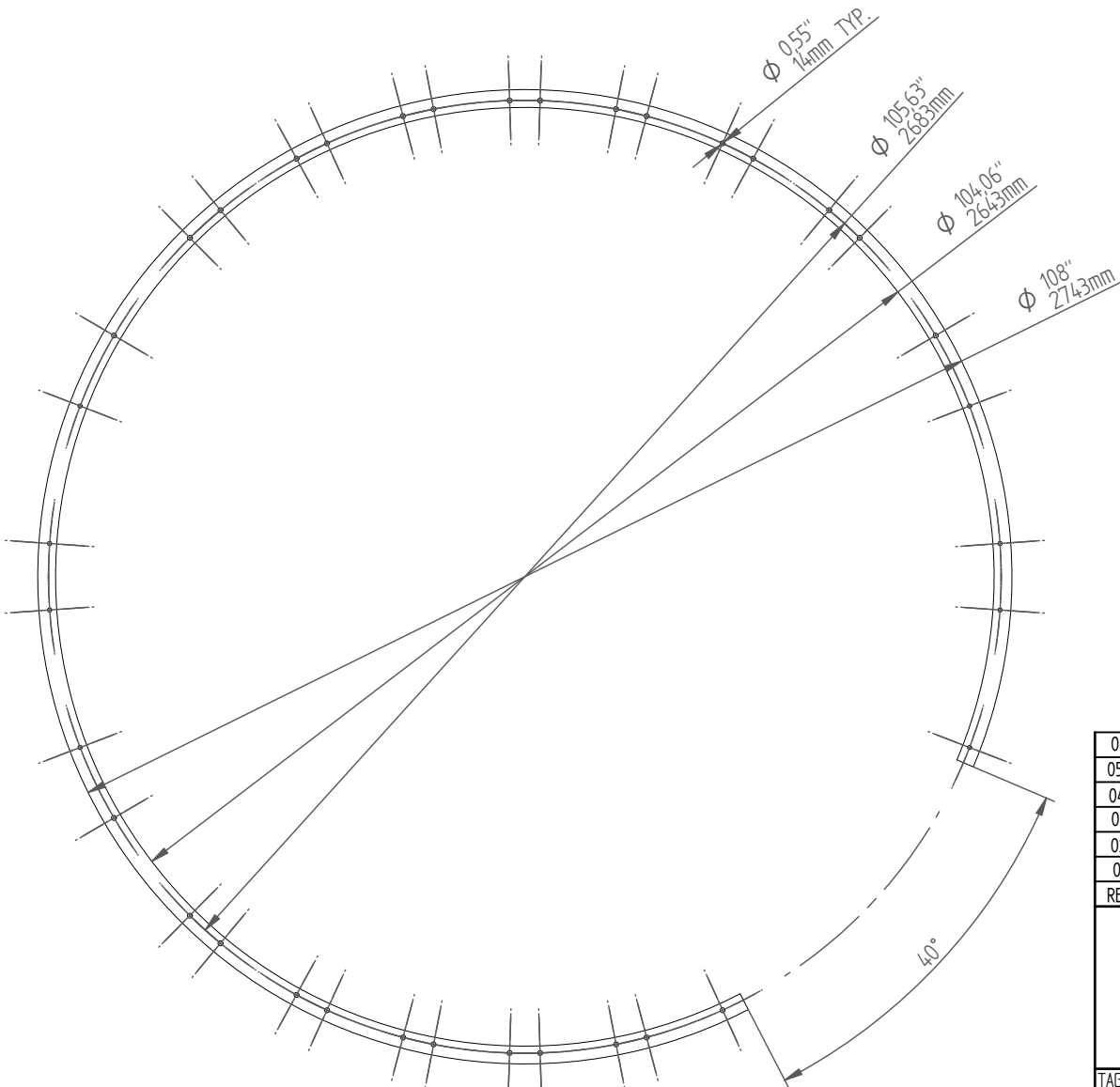
ITEM 1



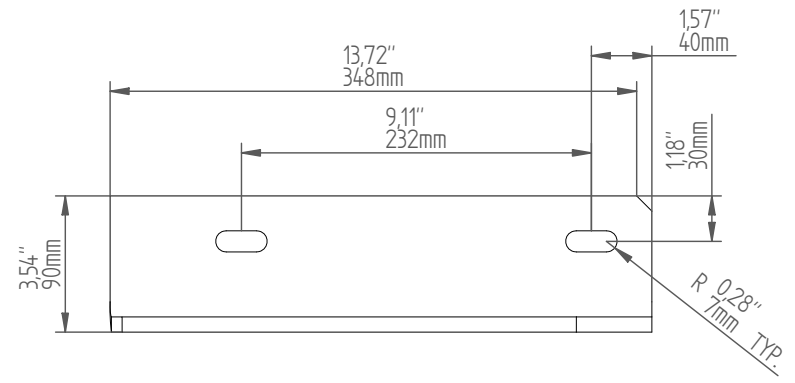
ITEM 3-MIRRORED ITEM 4



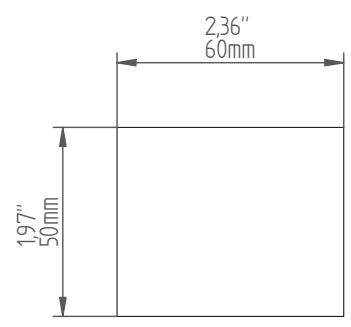
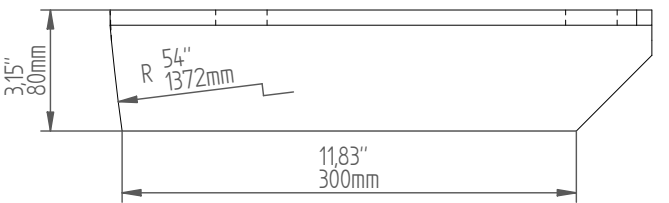
ITEM 6



ITEM 5




ITEM 2

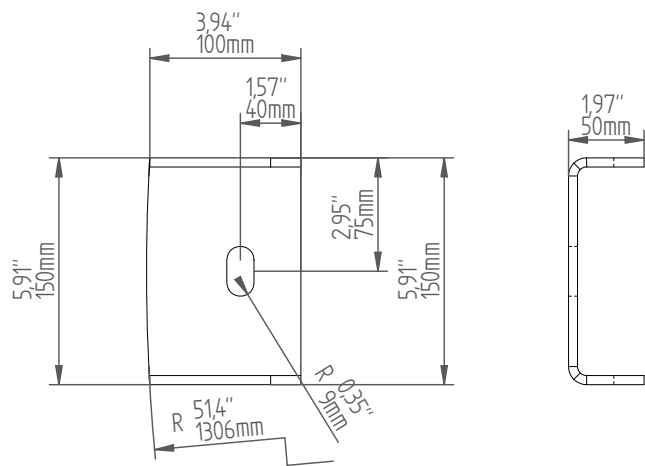


ITEM 7

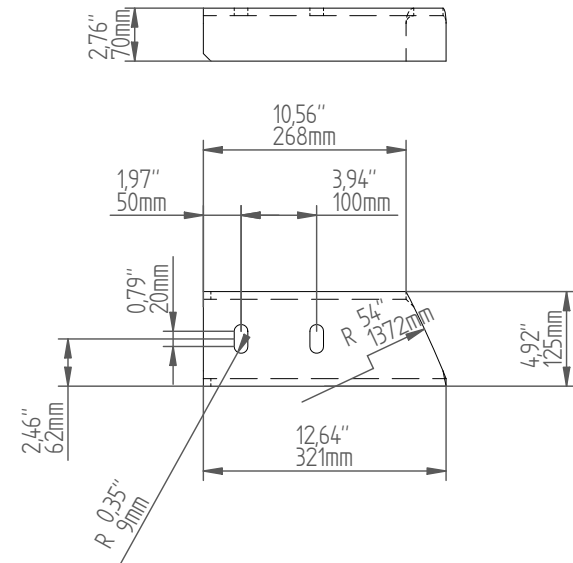
REV.	DATE	REASON FOR ISSUE	Drawn	Checked	Approved
06	25.05.2009	ISSUED FOR ACCEPTANCE	TJ	RR	DTK
05	03.03.2009	ISSUED FOR ACCEPTANCE	TJ	RR	DTK
04	10.06.2008	ISSUED FOR ACCEPTANCE	TJ	RR	DTK
03	07.04.2008	ISSUED FOR ACCEPTANCE	TJ	RR	DTK
02	20.02.2008	ISSUED FOR ACCEPTANCE	TJ	RR	DTK
01	20.02.2008	ISSUED FOR ACCEPTANCE	TJ	RR	DTK

TAG.No(S) VS-Z6001		SIZE A3		SUPPLIERS DOC. NO. 108204-4102	REV 06
		SCALE -			
 TITLE WP BP ALASKA SUPPORT LUGS DRAWING		CLIENT PROJECT REF. 1ST STAGE SUCTION SCRUBBER			

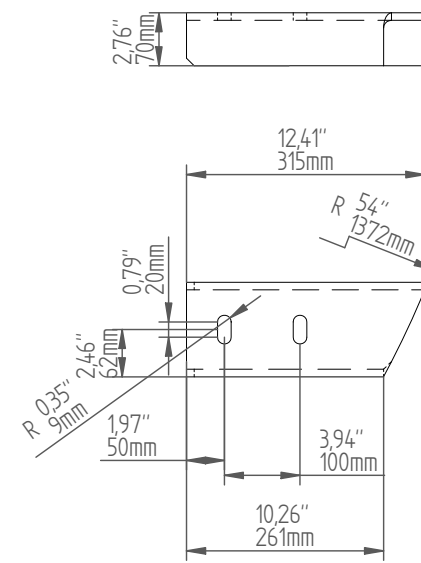
1 2 3 4 5 6 7 8 9 10 11 12



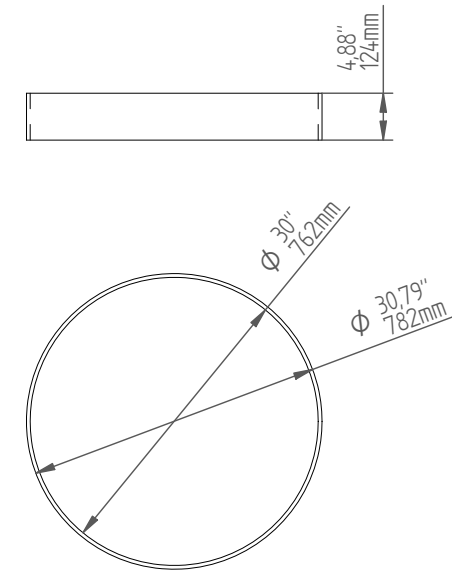
ITEM 8



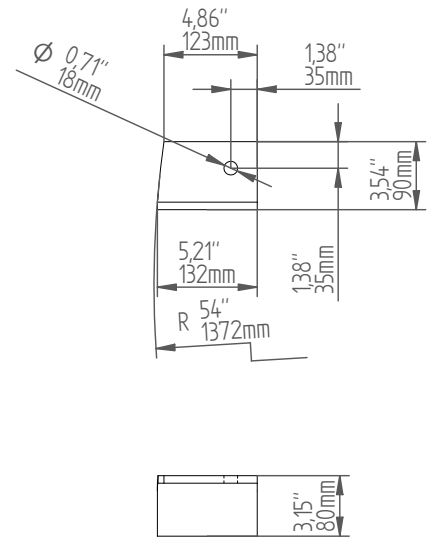
ITEM 10-MIRRORED ITEM 9



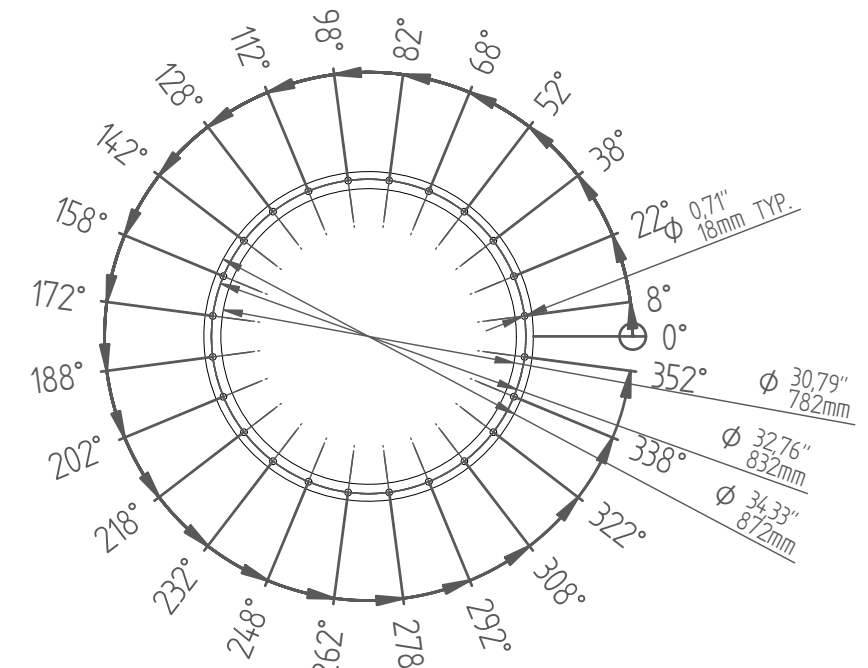
ITEM 12-MIRRORED ITEM 11



ITEM 13



ITEM 16-MIRRORED ITEM 15



ITEM 14

06	25.05.2009	ISSUED FOR ACCEPTANCE	TJ	RR	DTK
05	03.03.2009	ISSUED FOR ACCEPTANCE	TJ	RR	DTK
04	10.06.2008	ISSUED FOR ACCEPTANCE	TJ	RR	DTK
03	07.04.2008	ISSUED FOR ACCEPTANCE	TJ	RR	DTK
02	20.02.2008	ISSUED FOR ACCEPTANCE	TJ	RR	DTK
01	20.02.2008	ISSUED FOR ACCEPTANCE	TJ	RR	DTK
REV.	DATE	REASON FOR ISSUE	Drawn	Checked	Approved

		ConSept	
		TITLE WP BP ALASKA SUPPORT LUGS DRAWING	
TAG.No(S)	SIZE	SUPPLIERS DOC. NO.	REV
VS-Z6001	A3	108204-4102	06
SCALE		CLIENT PROJECT REF.	
-		1ST STAGE SUCTION SCRUBBER	