
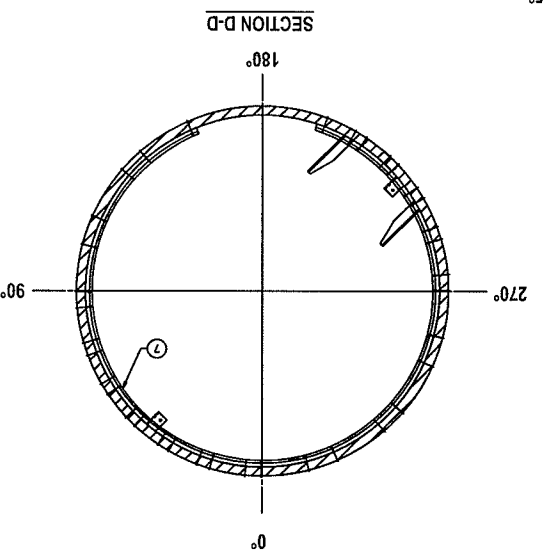
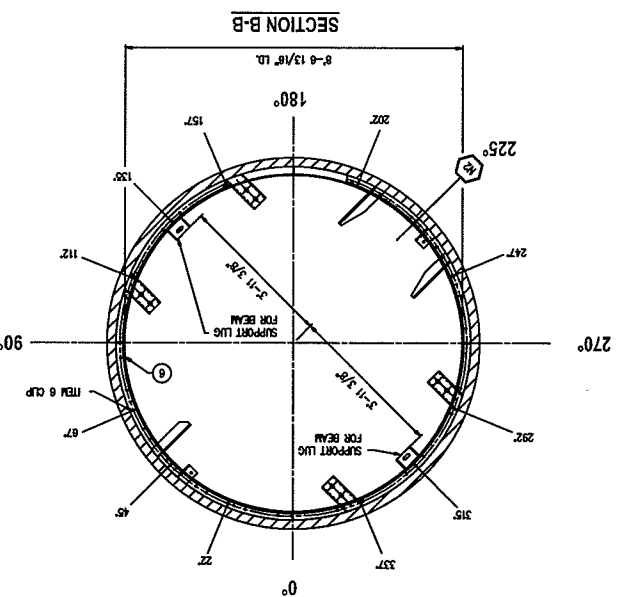
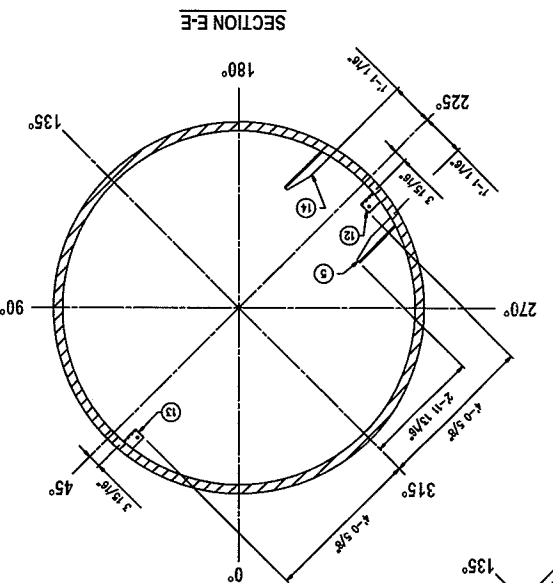
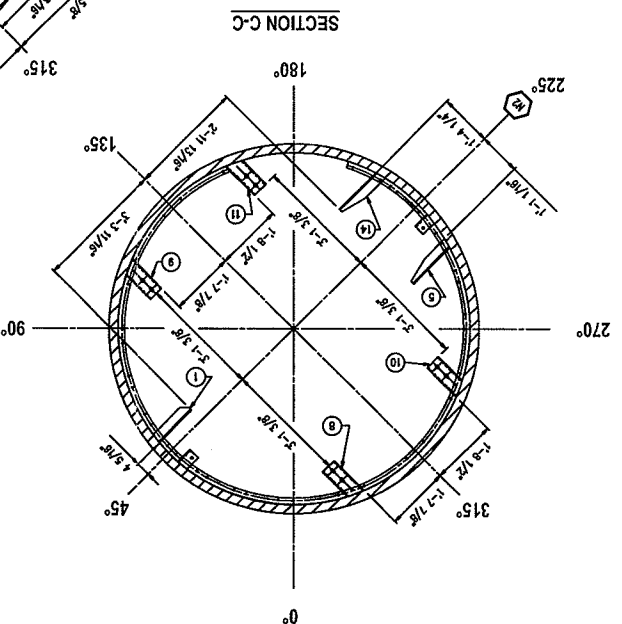
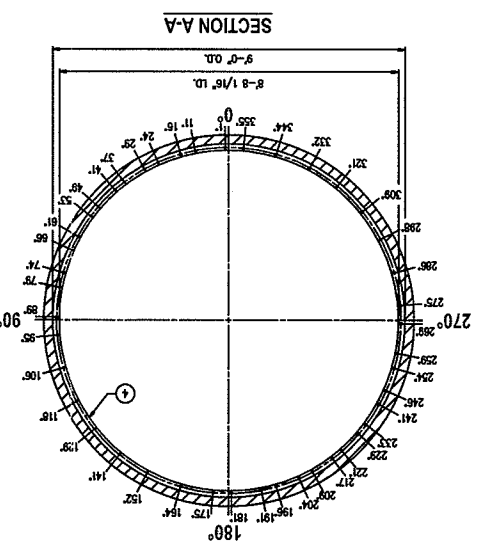
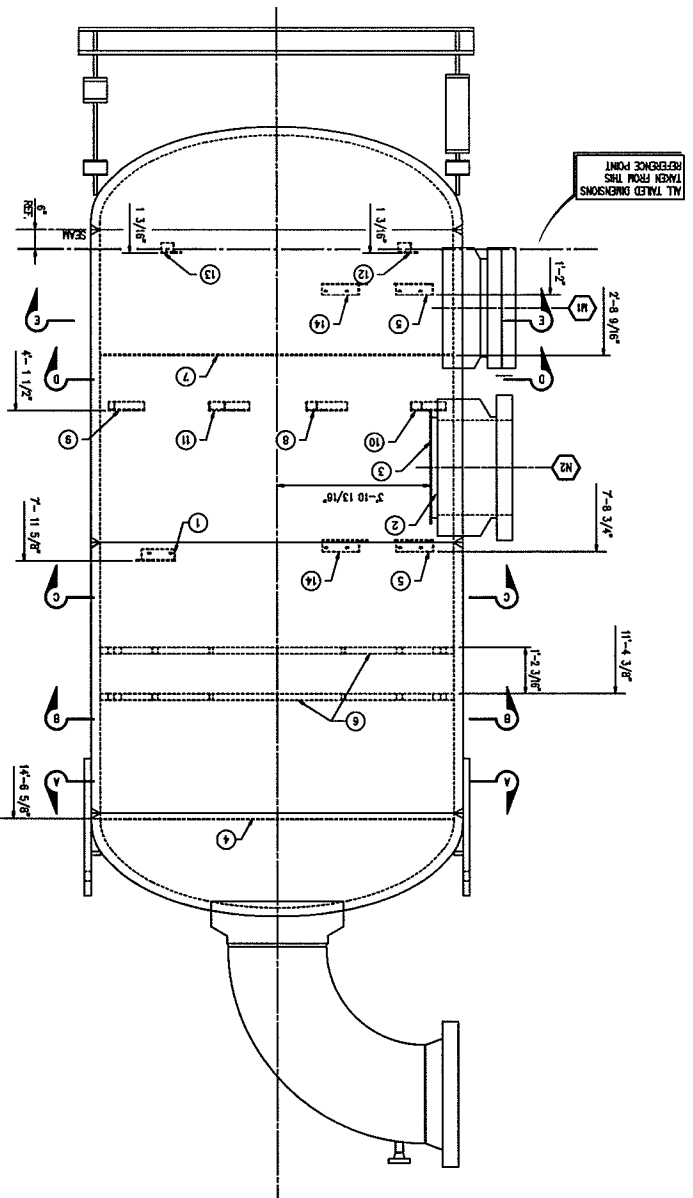
 WorleyParsons resources & energy	
<u>Kim Tjenden</u>	<u>09/26/09</u>
REVIEWED BY	DATE
Purchaser's review and/or release for fabrication shall not be construed as relieving seller of any obligation or responsibilities with respect to these documents of the items to be furnished by seller pursuant thereto.	
<input type="checkbox"/> VC RELEASED FOR FABRICATION - CORRECT AND RESUBMIT <input checked="" type="checkbox"/> VF FINAL - DO NOT RESUBMIT <input type="checkbox"/> VI FINAL - INFORMATION ONLY <input type="checkbox"/> VN NOT RELEASED FOR FABRICATION - CORRECT AND RESUBMIT <input type="checkbox"/> VM FINAL, MANUAL(S) - NOT RETURNED TO VENDOR <input type="checkbox"/> VEF FINAL - ELECTRONIC FILES <input type="checkbox"/> VV VOID - SEE COMMENTS ON DOCUMENTS <input type="checkbox"/> E0 DO NOT ISSUE THIS REVISION SUPERCEDED BY ANOTHER REVISION	

	DISC	PROJ #	P.O.	SEQ	SHT	REV	TAG
VND -	VS	363-4244-02	0019	00036	001	002	VS-26001
			#94				1.01

A04



Louisiana Machinery Company LLC 4771 NE GARDNER HWY COLUMBIA, LOUISIANA		1ST STAGE SUCTION SCRUBBER (VS-Z6001) 108" I.D. X 14'-11" SIS ASME CODE	
		DESIGNED BY: 1/2" = 1'-0" DRAWN BY:	CHECKED BY:
PROJECT NO: 4-4367A SHEET NO: 5		DRAWING NO: 4-4367A-SHT2 SHEET NO: 5	
PROSEP TECHNOLOGIES, INC.		Louisiana Machinery 108" I.D. X 14'-11" SIS TO SUCTION SCRUBBER (VS-Z6001)	
REVISION HISTORY		REVISIONS	
NO.	DATE	BY	DESCRIPTION
1	7/27/05	BN	ISSUED FOR CONSTRUCTION
2	9/7/05	KAL	ISSUED FOR CONSTRUCTION
3	9/7/05	BN	ISSUED FOR CONSTRUCTION
4	9/7/05	BN	ISSUED FOR CONSTRUCTION
5	9/7/05	BN	ISSUED FOR CONSTRUCTION
6	9/7/05	BN	ISSUED FOR CONSTRUCTION
7	9/7/05	BN	ISSUED FOR CONSTRUCTION
8	9/7/05	BN	ISSUED FOR CONSTRUCTION
9	9/7/05	BN	ISSUED FOR CONSTRUCTION
10	9/7/05	BN	ISSUED FOR CONSTRUCTION
11	9/7/05	BN	ISSUED FOR CONSTRUCTION
12	9/7/05	BN	ISSUED FOR CONSTRUCTION
13	9/7/05	BN	ISSUED FOR CONSTRUCTION
14	9/7/05	BN	ISSUED FOR CONSTRUCTION
15	9/7/05	BN	ISSUED FOR CONSTRUCTION
16	9/7/05	BN	ISSUED FOR CONSTRUCTION
17	9/7/05	BN	ISSUED FOR CONSTRUCTION
18	9/7/05	BN	ISSUED FOR CONSTRUCTION
19	9/7/05	BN	ISSUED FOR CONSTRUCTION
20	9/7/05	BN	ISSUED FOR CONSTRUCTION
21	9/7/05	BN	ISSUED FOR CONSTRUCTION
22	9/7/05	BN	ISSUED FOR CONSTRUCTION
23	9/7/05	BN	ISSUED FOR CONSTRUCTION
24	9/7/05	BN	ISSUED FOR CONSTRUCTION
25	9/7/05	BN	ISSUED FOR CONSTRUCTION
26	9/7/05	BN	ISSUED FOR CONSTRUCTION
27	9/7/05	BN	ISSUED FOR CONSTRUCTION
28	9/7/05	BN	ISSUED FOR CONSTRUCTION
29	9/7/05	BN	ISSUED FOR CONSTRUCTION
30	9/7/05	BN	ISSUED FOR CONSTRUCTION
31	9/7/05	BN	ISSUED FOR CONSTRUCTION
32	9/7/05	BN	ISSUED FOR CONSTRUCTION
33	9/7/05	BN	ISSUED FOR CONSTRUCTION
34	9/7/05	BN	ISSUED FOR CONSTRUCTION
35	9/7/05	BN	ISSUED FOR CONSTRUCTION
36	9/7/05	BN	ISSUED FOR CONSTRUCTION
37	9/7/05	BN	ISSUED FOR CONSTRUCTION
38	9/7/05	BN	ISSUED FOR CONSTRUCTION
39	9/7/05	BN	ISSUED FOR CONSTRUCTION
40	9/7/05	BN	ISSUED FOR CONSTRUCTION
41	9/7/05	BN	ISSUED FOR CONSTRUCTION
42	9/7/05	BN	ISSUED FOR CONSTRUCTION
43	9/7/05	BN	ISSUED FOR CONSTRUCTION
44	9/7/05	BN	ISSUED FOR CONSTRUCTION
45	9/7/05	BN	ISSUED FOR CONSTRUCTION
46	9/7/05	BN	ISSUED FOR CONSTRUCTION
47	9/7/05	BN	ISSUED FOR CONSTRUCTION
48	9/7/05	BN	ISSUED FOR CONSTRUCTION
49	9/7/05	BN	ISSUED FOR CONSTRUCTION
50	9/7/05	BN	ISSUED FOR CONSTRUCTION
51	9/7/05	BN	ISSUED FOR CONSTRUCTION
52	9/7/05	BN	ISSUED FOR CONSTRUCTION
53	9/7/05	BN	ISSUED FOR CONSTRUCTION
54	9/7/05	BN	ISSUED FOR CONSTRUCTION
55	9/7/05	BN	ISSUED FOR CONSTRUCTION
56	9/7/05	BN	ISSUED FOR CONSTRUCTION
57	9/7/05	BN	ISSUED FOR CONSTRUCTION
58	9/7/05	BN	ISSUED FOR CONSTRUCTION
59	9/7/05	BN	ISSUED FOR CONSTRUCTION
60	9/7/05	BN	ISSUED FOR CONSTRUCTION
61	9/7/05	BN	ISSUED FOR CONSTRUCTION
62	9/7/05	BN	ISSUED FOR CONSTRUCTION
63	9/7/05	BN	ISSUED FOR CONSTRUCTION
64	9/7/05	BN	ISSUED FOR CONSTRUCTION
65	9/7/05	BN	ISSUED FOR CONSTRUCTION
66	9/7/05	BN	ISSUED FOR CONSTRUCTION
67	9/7/05	BN	ISSUED FOR CONSTRUCTION
68	9/7/05	BN	ISSUED FOR CONSTRUCTION
69	9/7/05	BN	ISSUED FOR CONSTRUCTION
70	9/7/05	BN	ISSUED FOR CONSTRUCTION
71	9/7/05	BN	ISSUED FOR CONSTRUCTION
72	9/7/05	BN	ISSUED FOR CONSTRUCTION
73	9/7/05	BN	ISSUED FOR CONSTRUCTION
74	9/7/05	BN	ISSUED FOR CONSTRUCTION
75	9/7/05	BN	ISSUED FOR CONSTRUCTION
76	9/7/05	BN	ISSUED FOR CONSTRUCTION
77	9/7/05	BN	ISSUED FOR CONSTRUCTION
78	9/7/05	BN	ISSUED FOR CONSTRUCTION
79	9/7/05	BN	ISSUED FOR CONSTRUCTION
80	9/7/05	BN	ISSUED FOR CONSTRUCTION
81	9/7/05	BN	ISSUED FOR CONSTRUCTION
82	9/7/05	BN	ISSUED FOR CONSTRUCTION
83	9/7/05	BN	ISSUED FOR CONSTRUCTION
84	9/7/05	BN	ISSUED FOR CONSTRUCTION
85	9/7/05	BN	ISSUED FOR CONSTRUCTION
86	9/7/05	BN	ISSUED FOR CONSTRUCTION
87	9/7/05	BN	ISSUED FOR CONSTRUCTION
88	9/7/05	BN	ISSUED FOR CONSTRUCTION
89	9/7/05	BN	ISSUED FOR CONSTRUCTION
90	9/7/05	BN	ISSUED FOR CONSTRUCTION